



75 Ohm Flexible RG6 Coax Cable Double Shielded with Black PVC (NC) Jacket

TECHNICAL DATA SHEET

RG6A/U

75 Ohm Flexible RG6 Coax Cable Double Shielded with Black PVC (NC) Jacket

Configuration

Inner Conductor Material and Plating	Copper Clad Steel
Dielectric Type	PE
Shield Materials	Silver Plated Copper Braid, Copper Braid
Jacket Material and Color	PVC (NC), Black

Electrical Specifications

Impedance, Ohms	75
Velocity of Propagation, %	65.9
Maximum Operating Frequency, GHz	3
RF Shielding, dB	90
Capacitance, pF/ft [pF/m]	20.6 [67.59]
Maximum Operating Voltage, Volts	2,700

Electrical Specifications by Frequency

Frequency 1

Frequency, MHz	10
Attenuation, dB/100ft [dB/100m]	0.8 [2.62]

Frequency 2

Frequency, MHz	100
Attenuation, dB/100ft [dB/100m]	2.9 [9.51]

Frequency 3

Frequency, MHz	1000
Attenuation, dB/100ft [dB/100m]	11 [36.09]

Mechanical Specifications

Temperature

Operating Range, deg C	-40 to +80
------------------------	------------

Inner Conductor

Number of Strands	1
Material	Copper Clad Steel
Diameter, in [mm]	0.029 [0.74]

Dielectric:

Type	PE
Diameter, in [mm]	0.185 [4.7]

Click the following link (or enter part number in "SEARCH" on website) to obtain additional part information including price, inventory and certifications: [75 Ohm Flexible RG6 Coax Cable Double Shielded with Black PVC \(NC\) Jacket RG6A/U](#)

The information contained in this document is accurate to the best of our knowledge and representative of the part described herein. It may be necessary to make modifications to the part and/or the documentation of the part, in order to implement improvements. Pasternack reserves the right to make such changes as required. Unless otherwise stated, all specifications are nominal.





75 Ohm Flexible RG6 Coax Cable Double
Shielded with Black PVC (NC) Jacket

TECHNICAL DATA SHEET

RG6A/U

Shield:

Number of	2
Material 1	Silver Plated Copper Braid
Material 2	Copper Braid
Diameter, in [mm]	0.232 [5.89]

Jacket:

Material	PVC (NC)
Diameter, in [mm]	0.332 [8.43]
Color	Black
One Time Minimum Bend Radius, in [mm]	3.5 [88.9]
Weight, lbs/ft [Kg/m]	0.085 [0.13]

Compliance Certifications (visit www.Pasternack.com for current document)

RoHS Compliant	Yes
----------------	-----

Plotted and Other Data

Notes:	Values at 25 °C, sea level
--------	----------------------------

URL: <http://www.pasternack.com/flexible-0.332-rg6-75-ohm-coax-cable-pvc-jacket-rg6a-u-p.aspx>

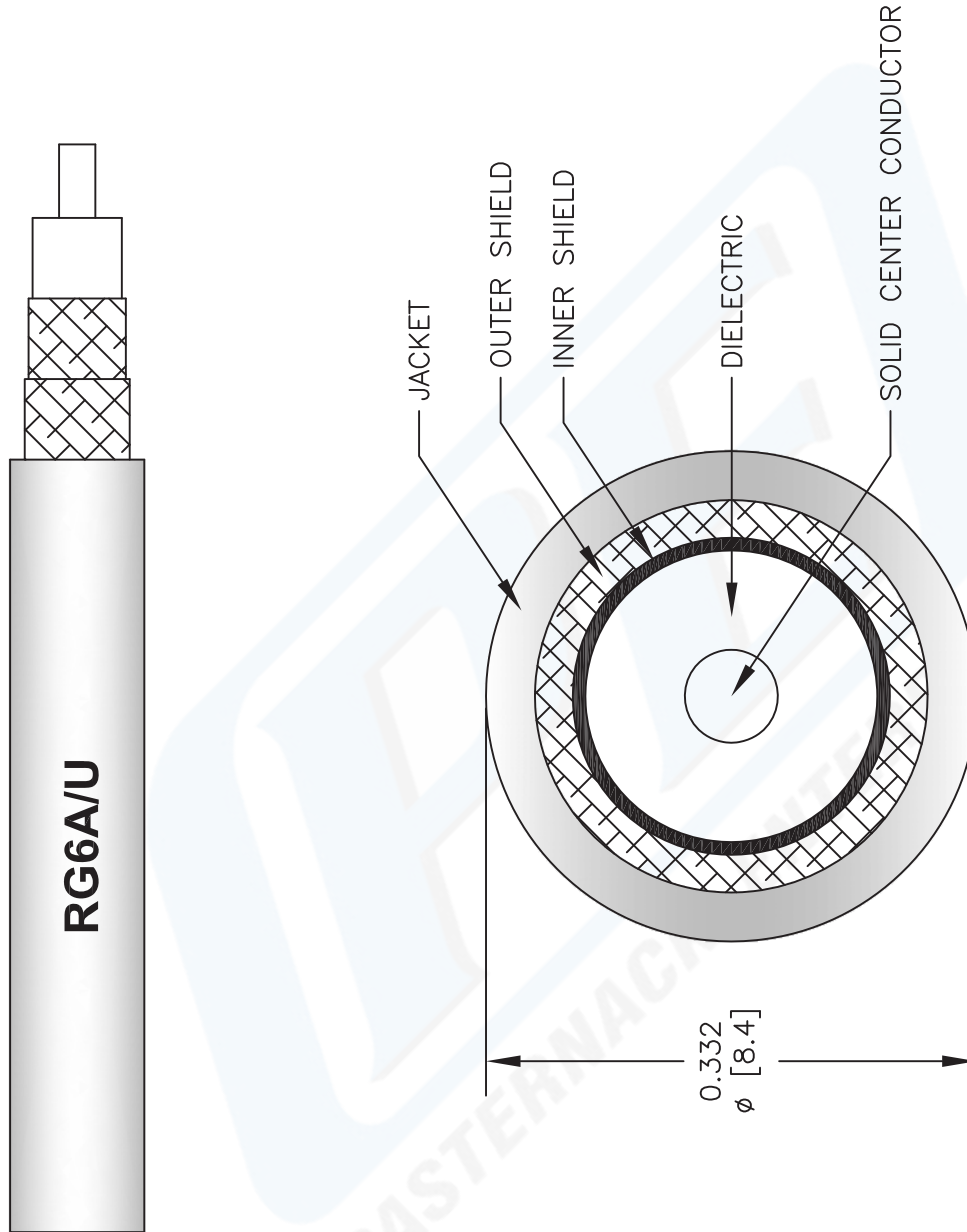
75 Ohm Flexible RG6 Coax Cable Double Shielded with Black PVC (NC) Jacket from Pasternack Enterprises has same day shipment for domestic and International orders. Our RF, microwave and fiber optic products maintain a 99% availability and are part of the broadest selection in the industry.

The information contained in this document is accurate to the best of our knowledge and representative of the part described herein. It may be necessary to make modifications to the part and/or the documentation of the part, in order to implement improvements. Pasternack reserves the right to make such changes as required. Unless otherwise stated, all specifications are nominal.



RG6A/U CAD Drawing

75 Ohm Flexible RG6 Coax Cable Double Shielded with Black PVC (NC) Jacket



NOTES:
1. UNLESS OTHERWISE SPECIFIED ALL DIMENSIONS ARE NOMINAL.
2. ALL SPECIFICATIONS ARE SUBJECT TO CHANGE WITHOUT NOTICE AT ANY TIME.
3. DIMENSIONS ARE IN INCHES [mm].

DWG TITLE
RG6A/U

FSCM NO. 53919

CAD FILE 010711-B

SCALE N/A

SIZE A

2233

PE PASTERNAK®
Pasternack Enterprises, Inc.
P.O. Box 16759 | Irvine | CA | 92623
Phone: (949) 261-1920 | Fax: (949) 261-7451
Website: www.pasternack.com | E-Mail: sales@pasternack.com