



75 Ohm Flexible RG59 Coax Cable Double Shielded with White PVC Jacket

TECHNICAL DATA SHEET

RG59-WHITE

75 Ohm Flexible RG59 Coax Cable Double Shielded with White PVC Jacket

Configuration

Inner Conductor Material and Plating	Copper Clad Steel
Dielectric Type	PE (F)
Shield Materials	Aluminum Tape, Aluminum Braid
Jacket Material and Color	PVC, White

Electrical Specifications

Impedance, Ohms	75
Velocity of Propagation, %	83
Maximum Operating Frequency, MHz	1000
Capacitance, pF/ft [pF/m]	16.2 [53.15]
Maximum Operating Voltage, Volts	300

Electrical Specifications by Frequency

Frequency 1

Frequency, MHz	300
Attenuation, dB/100ft [dB/100m]	4.27 [14.01]

Frequency 2

Frequency, MHz	400
Attenuation, dB/100ft [dB/100m]	4.88 [16.01]

Frequency 3

Frequency, MHz	550
Attenuation, dB/100ft [dB/100m]	5.9 [19.36]

Frequency 4

Frequency, MHz	750
Attenuation, dB/100ft [dB/100m]	6.96 [22.83]

Frequency 5

Frequency, MHz	870
Attenuation, dB/100ft [dB/100m]	7.54 [24.74]

Frequency 6

Frequency, MHz	1000
Attenuation, dB/100ft [dB/100m]	8.09 [26.54]

Mechanical Specifications

Temperature

Operating Range, deg C	-40 to +80
------------------------	------------

Click the following link (or enter part number in "SEARCH" on website) to obtain additional part information including price, inventory and certifications: [75 Ohm Flexible RG59 Coax Cable Double Shielded with White PVC Jacket RG59-WHITE](#)

The information contained in this document is accurate to the best of our knowledge and representative of the part described herein. It may be necessary to make modifications to the part and/or the documentation of the part, in order to implement improvements. Pasternack reserves the right to make such changes as required. Unless otherwise stated, all specifications are nominal.





75 Ohm Flexible RG59 Coax Cable Double
Shielded with White PVC Jacket

TECHNICAL DATA SHEET

RG59-WHITE

Inner Conductor

Number of Strands	1
Material	Copper Clad Steel
Diameter, in [mm]	0.032 [0.81]

Dielectric:

Type	PE (F)
Diameter, in [mm]	0.144 [3.66]

Shield:

Number of	2
Material 1	Aluminum Tape
Material 2	Aluminum Braid

Jacket:

Material	PVC
Diameter, in [mm]	0.242 [6.15]
Color	White
One Time Minimum Bend Radius, in [mm]	2.5 [63.5]
Weight, lbs/ft [Kg/m]	0.03 [0.04]

Compliance Certifications (visit www.Pasternack.com for current document)

Plotted and Other Data

Notes: Values at 25 °C, sea level

75 Ohm Flexible RG59 Coax Cable Double Shielded with White PVC Jacket from Pasternack Enterprises has same day shipment for domestic and International orders. Our RF, microwave and fiber optic products maintain a 99% availability and are part of the broadest selection in the industry.

Click the following link (or enter part number in "SEARCH" on website) to obtain additional part information including price, inventory and certifications: [75 Ohm Flexible RG59 Coax Cable Double Shielded with White PVC Jacket RG59-WHITE](#)

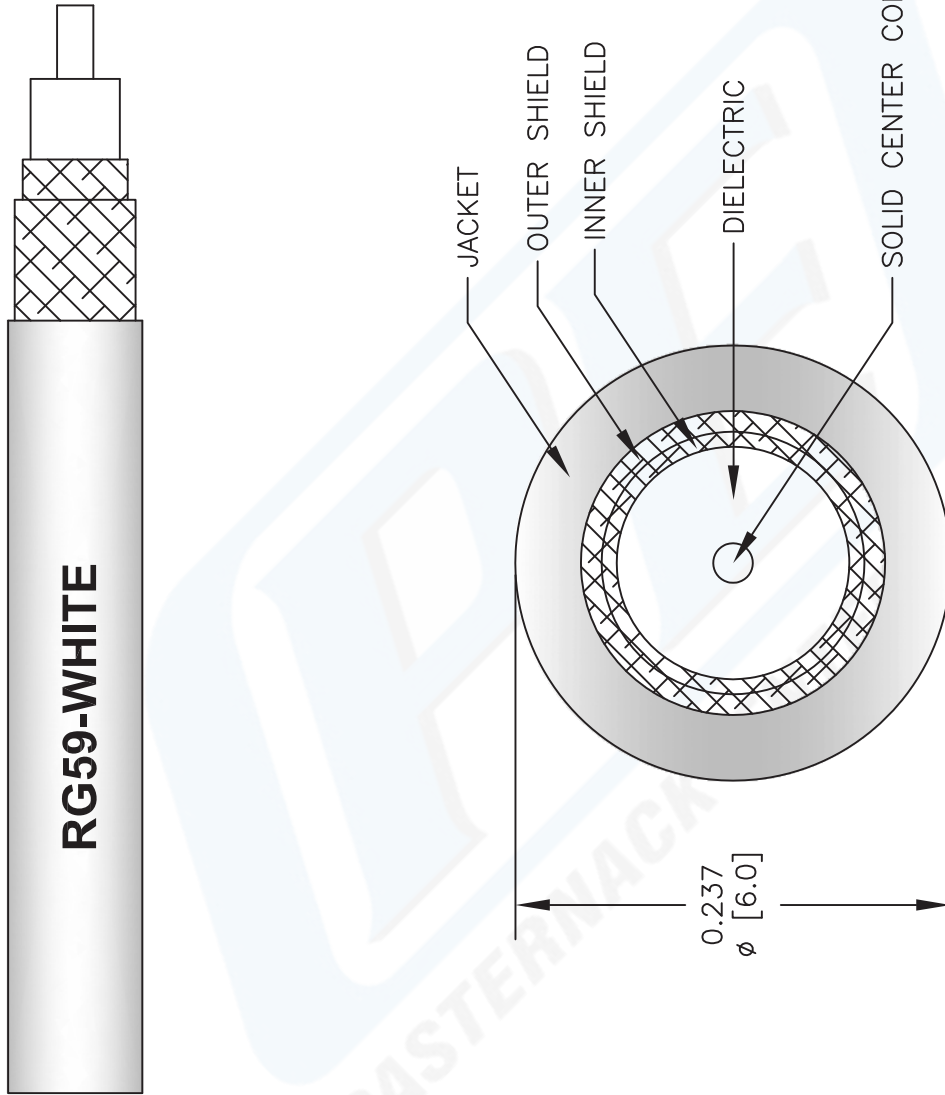
URL: <http://www.pasternack.com/flexible-0.242-rg59-white-75-ohm-coax-cable-pvc-jacket-rg59-white-p.aspx>

The information contained in this document is accurate to the best of our knowledge and representative of the part described herein. It may be necessary to make modifications to the part and/or the documentation of the part, in order to implement improvements. Pasternack reserves the right to make such changes as required. Unless otherwise stated, all specifications are nominal.



RG59-WHITE CAD Drawing

75 Ohm Flexible RG59 Coax Cable Double Shielded with White PVC Jacket



NOTES:
 1. UNLESS OTHERWISE SPECIFIED ALL DIMENSIONS ARE NOMINAL.
 2. ALL SPECIFICATIONS ARE SUBJECT TO CHANGE WITHOUT NOTICE AT ANY TIME.
 3. DIMENSIONS ARE IN INCHES [mm].

DWG TITLE
RG59-WHITE

FSCM NO. 53919

CAD FILE 022713

SCALE N/A

SIZE A

2233

PE PASTERNAK®
 Pasternack Enterprises, Inc.
 P.O. Box 16759 | Irvine | CA | 92623
Phone: (949) 261-1920 | **Fax:** (949) 261-7451
Website: www.pasternack.com | **E-Mail:** sales@pasternack.com