

Flexible RG58 Plenum Rated Coax Cable Single Shielded with Black FEP Jacket

TECHNICAL DATA SHEET

RG58-P

Flexible RG58 Plenum Rated Coax Cable Single Shielded with Black FEP Jacket

Configuration

Cable Design	Plenum
Inner Conductor Material and Plating	Copper
Dielectric Type	FEP
Shield Materials	Tinned Copper Braid
Jacket Material and Color	FEP, Black

Electrical Specifications

Impedance, Ohms	50
Velocity of Propagation, %	69.5
Time Delay, ns/ft [ns/m]	1.48 [4.86]
Maximum Operating Frequency, MHz	1000
RF Shielding, dB	45
Capacitance, pF/ft [pF/m]	26.4 [86.61]
Inductance, uH/ft [uH/m]	0.088 [0.29]
DC Resistance Inner Conductor, Ohms/1000ft [Ohms/Km]	10.2 [33.46]
DC Resistance Outer Conductor, Ohms/1000ft [Ohms/Km]	6.7 [21.98]
Maximum Operating Voltage, Volts	1,400

Electrical Specifications by Frequency

Frequency 1

Frequency, MHz	50
Attenuation, dB/100ft [dB/100m]	3 [9.84]
Power Handling, Watts	782.4

Frequency 2

Frequency, MHz	100
Attenuation, dB/100ft [dB/100m]	4.3 [14.11]
Power Handling, Watts	542.2

Frequency 3

Frequency, MHz	400
Attenuation, dB/100ft [dB/100m]	9.7 [31.82]
Power Handling, Watts	248.5

Frequency 4

Frequency, MHz	900
Attenuation, dB/100ft [dB/100m]	16.1 [52.82]
Power Handling, Watts	153

Click the following link (or enter part number in "SEARCH" on website) to obtain additional part information including price, inventory and certifications: [Flexible RG58 Plenum Rated Coax Cable Single Shielded with Black FEP Jacket RG58-P](#)

The information contained in this document is accurate to the best of our knowledge and representative of the part described herein. It may be necessary to make modifications to the part and/or the documentation of the part, in order to implement improvements. Pasternack reserves the right to make such changes as required. Unless otherwise stated, all specifications are nominal.

Flexible RG58 Plenum Rated Coax Cable Single Shielded with Black FEP Jacket

TECHNICAL DATA SHEET

RG58-P

Frequency 5

Frequency, MHz	1000
Attenuation, dB/100ft [dB/100m]	17.3 [56.76]
Power Handling, Watts	143.2

Mechanical Specifications
Temperature

Operating Range, deg C	-70 to +200
------------------------	-------------

Inner Conductor

Number of Strands	1
Material	Copper
Diameter, in [mm]	0.032 [0.81]

Dielectric:

Type	FEP
Diameter, in [mm]	0.112 [2.84]

Shield:

Number of	1
Material 1	Tinned Copper Braid

Jacket:

Material	FEP
Diameter, in [mm]	0.159 [4.04]
Color	Black
One Time Minimum Bend Radius, in [mm]	2 [50.8]
Weight, lbs/ft [Kg/m]	0.015 [0.02]

Compliance Certifications (visit www.Pasternack.com for current document)

RoHS Compliant	Yes
----------------	-----

Click the following link (or enter part number in "SEARCH" on website) to obtain additional part information including price, inventory and certifications: [Flexible RG58 Plenum Rated Coax Cable Single Shielded with Black FEP Jacket RG58-P](#)

The information contained in this document is accurate to the best of our knowledge and representative of the part described herein. It may be necessary to make modifications to the part and/or the documentation of the part, in order to implement improvements. Pasternack reserves the right to make such changes as required. Unless otherwise stated, all specifications are nominal.

Flexible RG58 Plenum Rated Coax Cable
Single Shielded with Black FEP Jacket

TECHNICAL DATA SHEET

RG58-P

Plotted and Other Data

Notes:

Values at 25 °C, sea level

Flexible RG58 Plenum Rated Coax Cable Single Shielded with Black FEP Jacket from Pasternack Enterprises has same day shipment for domestic and International orders. Our RF, microwave and fiber optic products maintain a 99% availability and are part of the broadest selection in the industry.

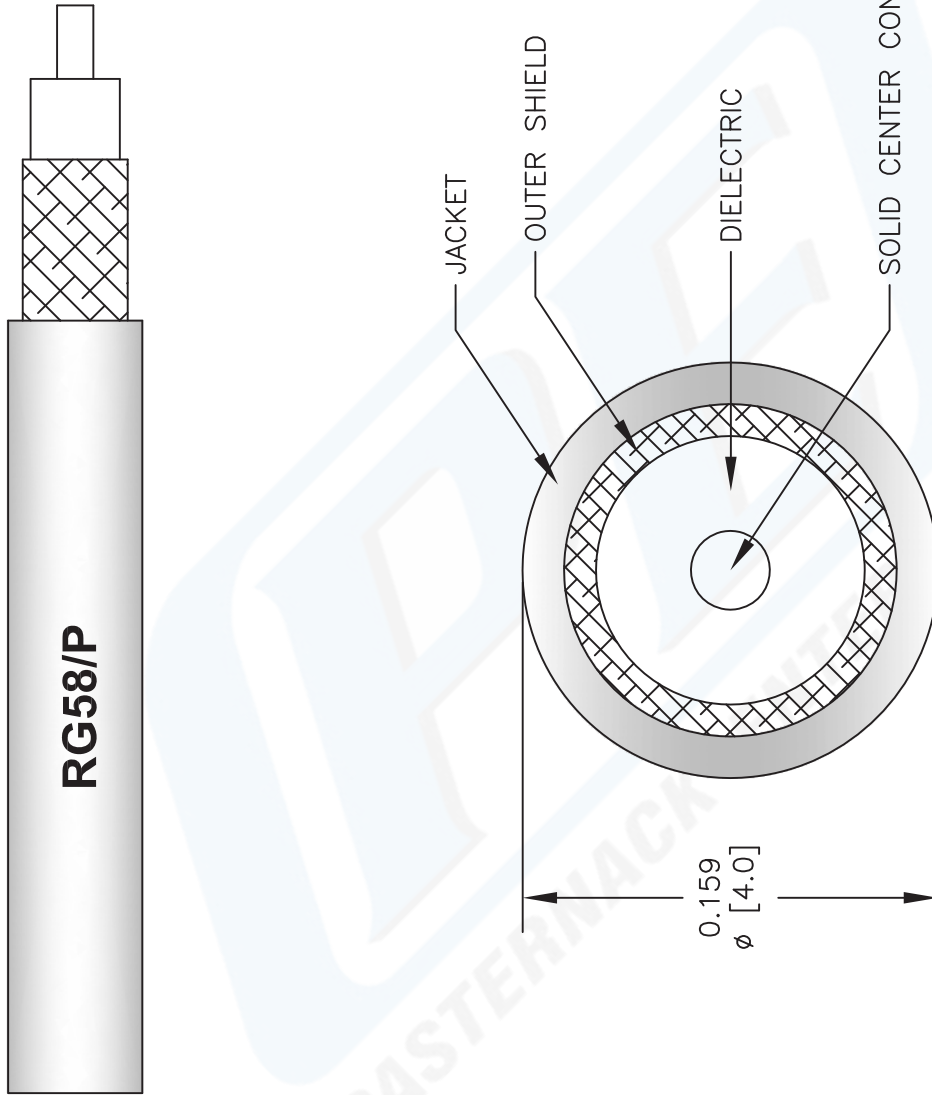
Click the following link (or enter part number in "SEARCH" on website) to obtain additional part information including price, inventory and certifications: [Flexible RG58 Plenum Rated Coax Cable Single Shielded with Black FEP Jacket RG58-P](#)

URL: <http://www.pasternack.com/flexible-0.163-rg58-plenum-50-ohm-coax-cable-fep-jacket-rg58-p-p.aspx>

The information contained in this document is accurate to the best of our knowledge and representative of the part described herein. It may be necessary to make modifications to the part and/or the documentation of the part, in order to implement improvements. Pasternack reserves the right to make such changes as required. Unless otherwise stated, all specifications are nominal.

RG58-P CAD Drawing

Flexible RG58 Plenum Rated Coax Cable Single Shielded with Black FEP Jacket



NOTES:
 1. UNLESS OTHERWISE SPECIFIED ALL DIMENSIONS ARE NOMINAL.
 2. ALL SPECIFICATIONS ARE SUBJECT TO CHANGE WITHOUT NOTICE AT ANY TIME.
 3. DIMENSIONS ARE IN INCHES [mm].

DWG TITLE
RG58-P

FSCM NO. 53919

CAD FILE 022808-A

SCALE N/A

SIZE A

2233

PE PASTERNAK®
 Pasternack Enterprises, Inc.
 P.O. Box 16759 | Irvine | CA | 92623
Phone: (949) 261-1920 | **Fax:** (949) 261-7451
Website: www.pasternack.com | **E-Mail:** sales@pasternack.com