



## Flexible RG219 Coax Cable Single Shielded with PVC With Aluminum Armor Jacket

### TECHNICAL DATA SHEET

### RG219/79D

#### Flexible RG219 Coax Cable Single Shielded with PVC With Aluminum Armor Jacket

##### Configuration

Inner Conductor Material and Plating	Copper
Dielectric Type	PE
Shield Materials	Beryllium Copper
Jacket Material and Color	PVC With Armor

##### Electrical Specifications

Impedance, Ohms	50
Maximum Operating Frequency, GHz	5
Capacitance, pF/ft [pF/m]	30.8 [101.05]
Maximum Operating Voltage, Volts	11,000

##### Electrical Specifications by Frequency

###### Frequency 1

Frequency, MHz	10
Attenuation, dB/100ft [dB/100m]	0.23 [0.75]
Power Handling, KWatts	18

###### Frequency 2

Frequency, MHz	100
Attenuation, dB/100ft [dB/100m]	0.81 [2.66]
Power Handling, KWatts	3.2

###### Frequency 3

Frequency, MHz	1000
Attenuation, dB/100ft [dB/100m]	3.8 [12.47]
Power Handling, Watts	560

###### Frequency 4

Frequency, GHz	5
Attenuation, dB/100ft [dB/100m]	13.5 [44.29]
Power Handling, Watts	160

##### Mechanical Specifications

###### Temperature

Operating Range, deg C	-40 to +80
------------------------	------------

###### Inner Conductor

Number of Strands	1
Material	Copper
Diameter, in [mm]	0.195 [4.95]

Click the following link (or enter part number in "SEARCH" on website) to obtain additional part information including price, inventory and certifications: [Flexible RG219 Coax Cable Single Shielded with PVC With Aluminum Armor Jacket RG219/79D](#)

The information contained in this document is accurate to the best of our knowledge and representative of the part described herein. It may be necessary to make modifications to the part and/or the documentation of the part, in order to implement improvements. Pasternack reserves the right to make such changes as required. Unless otherwise stated, all specifications are nominal.





## Flexible RG219 Coax Cable Single Shielded with PVC With Aluminum Armor Jacket

### TECHNICAL DATA SHEET

**RG219/79D**
**Dielectric:**

Type	PE
Diameter, in [mm]	0.68 [17.27]

**Shield:**

Number of	1
Material 1	Beryllium Copper
Diameter, in [mm]	0.726 [18.44]

**Jacket:**

Material	PVC With Armor
Diameter, in [mm]	0.87 [22.1]
Weight, lbs/ft [Kg/m]	0.585 [0.87]

**Compliance Certifications** (visit [www.Pasternack.com](http://www.Pasternack.com) for current document)

RoHS Compliant	Yes
----------------	-----

**Plotted and Other Data**

Notes:	Values at 25 °C, sea level
--------	----------------------------

Flexible RG219 Coax Cable Single Shielded with PVC With Aluminum Armor Jacket from Pasternack Enterprises has same day shipment for domestic and International orders. Our RF, microwave and fiber optic products maintain a 99% availability and are part of the broadest selection in the industry.

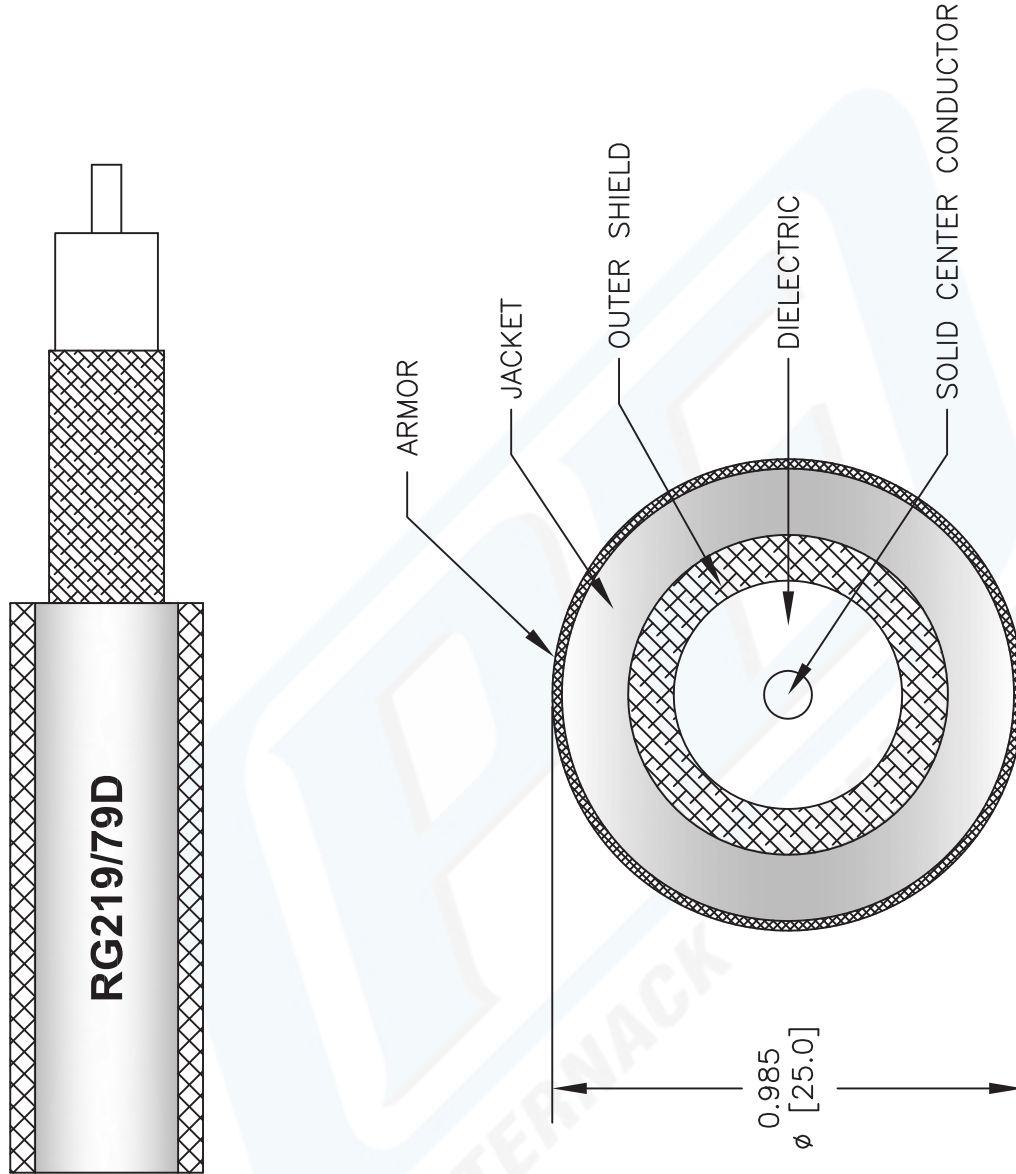
Click the following link (or enter part number in "SEARCH" on website) to obtain additional part information including price, inventory and certifications: [Flexible RG219 Coax Cable Single Shielded with PVC With Aluminum Armor Jacket RG219/79D](http://www.pasternack.com/50-ohm-flexible-rg219-pvc-with-armor-jacket-copper-braid-outer-conductor-single-shielded-rg219-79d-p.aspx)

URL: <http://www.pasternack.com/50-ohm-flexible-rg219-pvc-with-armor-jacket-copper-braid-outer-conductor-single-shielded-rg219-79d-p.aspx>

The information contained in this document is accurate to the best of our knowledge and representative of the part described herein. It may be necessary to make modifications to the part and/or the documentation of the part, in order to implement improvements. Pasternack reserves the right to make such changes as required. Unless otherwise stated, all specifications are nominal.

# RG219/79D CAD Drawing

Flexible RG219 Coax Cable Single Shielded with PVC With Aluminum Armor Jacket



NOTES:  
 1. UNLESS OTHERWISE SPECIFIED ALL DIMENSIONS ARE NOMINAL.  
 2. ALL SPECIFICATIONS ARE SUBJECT TO CHANGE WITHOUT NOTICE AT ANY TIME.  
 3. DIMENSIONS ARE IN INCHES [mm].

DWG TITLE  
**RG219/79D**

FSCM NO. 53919

CAD FILE 102313

SCALE N/A

SIZE A

2233

**PE PASTERNAK®**  
 Pasternack Enterprises, Inc.  
 P.O. Box 16759 | Irvine | CA | 92623  
**Phone:** (949) 261-1920 | **Fax:** (949) 261-7451  
**Website:** www.pasternack.com | **E-Mail:** sales@pasternack.com