



Flexible RG218 Coax Cable Single Shielded with Black PVC Jacket

TECHNICAL DATA SHEET

RG218/U

Flexible RG218 Coax Cable Single Shielded with Black PVC Jacket

Configuration

Inner Conductor Material and Plating	Copper
Dielectric Type	PE
Shield Materials	Copper Braid
Jacket Material and Color	PVC, Black

Electrical Specifications

Impedance, Ohms	50
Velocity of Propagation, %	66
Maximum Operating Frequency, GHz	5
Capacitance, pF/ft [pF/m]	30.8 [101.05]
Maximum Operating Voltage, Volts	11,000

Electrical Specifications by Frequency

Frequency 1

Frequency, MHz	10
Attenuation, dB/100ft [dB/100m]	0.23 [0.75]
Power Handling, KWatts	18

Frequency 2

Frequency, MHz	100
Attenuation, dB/100ft [dB/100m]	0.81 [2.66]
Power Handling, KWatts	3.2

Frequency 3

Frequency, MHz	1000
Attenuation, dB/100ft [dB/100m]	3.8 [12.47]
Power Handling, Watts	560

Frequency 4

Frequency, GHz	5
Attenuation, dB/100ft [dB/100m]	13.5 [44.29]
Power Handling, Watts	160

Mechanical Specifications

Temperature

Operating Range, deg C	-40 to +80
------------------------	------------

Click the following link (or enter part number in "SEARCH" on website) to obtain additional part information including price, inventory and certifications: [Flexible RG218 Coax Cable Single Shielded with Black PVC Jacket RG218/U](#)

The information contained in this document is accurate to the best of our knowledge and representative of the part described herein. It may be necessary to make modifications to the part and/or the documentation of the part, in order to implement improvements. Pasternack reserves the right to make such changes as required. Unless otherwise stated, all specifications are nominal.





Flexible RG218 Coax Cable Single
 Shielded with Black PVC Jacket

TECHNICAL DATA SHEET **RG218/U**

Inner Conductor	
Number of Strands	1
Material	Copper
Diameter, in [mm]	0.195 [4.95]
Dielectric:	
Type	PE
Diameter, in [mm]	0.68 [17.27]
Shield:	
Number of	1
Material 1	Copper Braid
Diameter, in [mm]	0.728 [18.49]
Jacket:	
Material	PVC
Diameter, in [mm]	0.87 [22.1]
Color	Black

Compliance Certifications (visit www.Pasternack.com for current document)
 RoHS Compliant Yes

Plotted and Other Data

Notes: Values at 25 °C, sea level

URL: <http://www.pasternack.com/flexible-0.870-rg218-50-ohm-coax-cable-pvc-jacket-rg218-u-p.aspx>

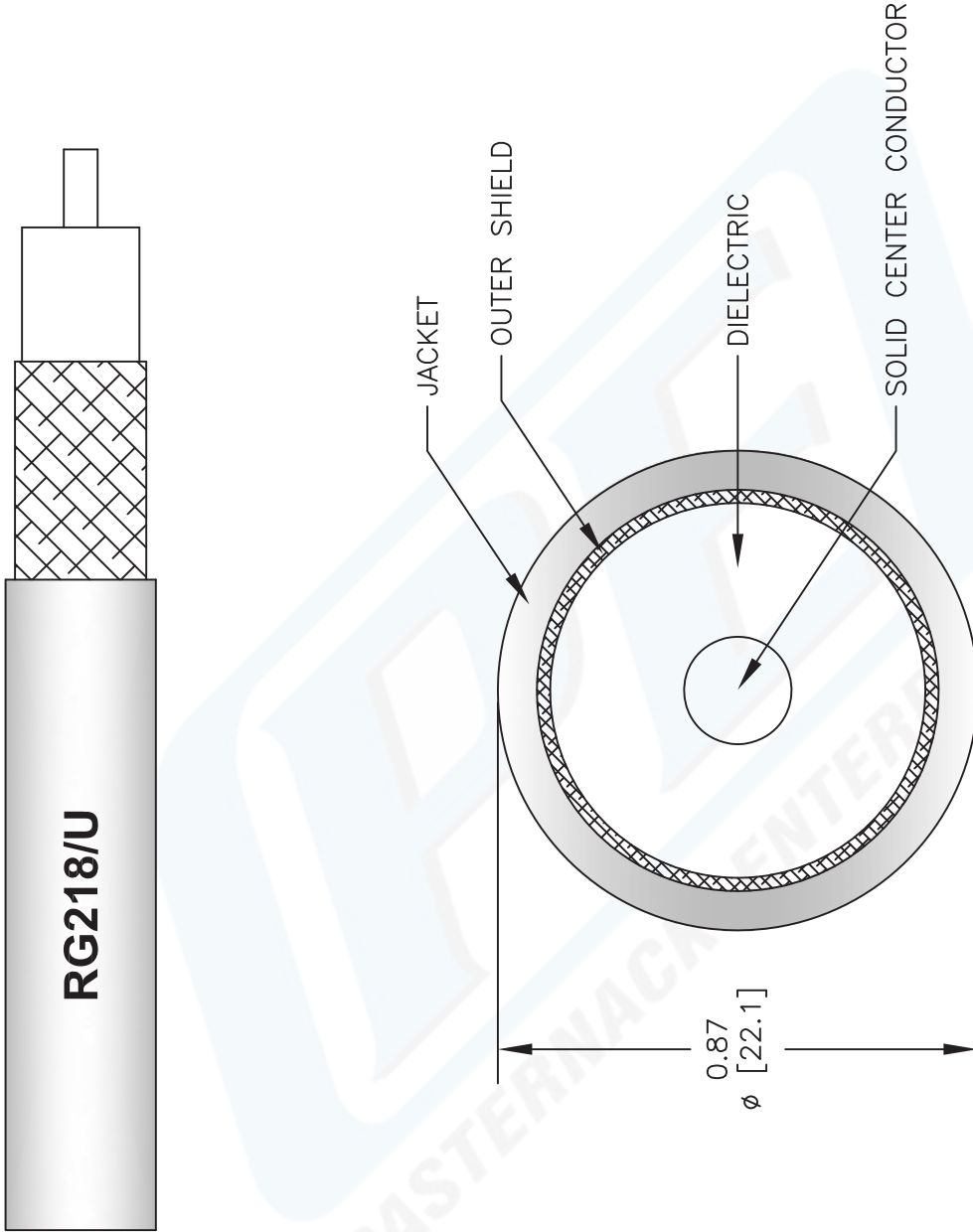
Flexible RG218 Coax Cable Single Shielded with Black PVC Jacket from Pasternack Enterprises has same day shipment for domestic and International orders. Our RF, microwave and fiber optic products maintain a 99% availability and are part of the broadest selection in the industry.

The information contained in this document is accurate to the best of our knowledge and representative of the part described herein. It may be necessary to make modifications to the part and/or the documentation of the part, in order to implement improvements. Pasternack reserves the right to make such changes as required. Unless otherwise stated, all specifications are nominal.



RG218/U CAD Drawing

Flexible RG218 Coax Cable Single Shielded with Black PVC Jacket



NOTES:
 1. UNLESS OTHERWISE SPECIFIED ALL DIMENSIONS ARE NOMINAL.
 2. ALL SPECIFICATIONS ARE SUBJECT TO CHANGE WITHOUT NOTICE AT ANY TIME.
 3. DIMENSIONS ARE IN INCHES [mm].

DWG TITLE
RG218/U

FSCM NO. 53919

2233

SIZE A

SCALE N/A

CAD FILE 102912-B

PE PASTERNAK®
 Pasternack Enterprises, Inc.
 P.O. Box 16759 | Irvine | CA | 92623
Phone: (949) 261-1920 | **Fax:** (949) 261-7451
Website: www.pasternack.com | **E-Mail:** sales@pasternack.com