



Flexible RG217 Coax Cable Double Shielded with Black PVC Jacket

TECHNICAL DATA SHEET

RG217/U

Flexible RG217 Coax Cable Double Shielded with Black PVC Jacket

Configuration

| | |
|--------------------------------------|----------------------------|
| Inner Conductor Material and Plating | Copper |
| Dielectric Type | PE |
| Shield Materials | Copper Braid, Copper Braid |
| Jacket Material and Color | PVC, Black |

Electrical Specifications

| | |
|----------------------------------|---------------|
| Impedance, Ohms | 50 |
| Velocity of Propagation, % | 66 |
| Maximum Operating Frequency, GHz | 5 |
| Capacitance, pF/ft [pF/m] | 30.8 [101.05] |
| Maximum Operating Voltage, Volts | 5,200 |

Electrical Specifications by Frequency

Frequency 1

| | |
|---------------------------------|-------------|
| Frequency, MHz | 10 |
| Attenuation, dB/100ft [dB/100m] | 0.41 [1.35] |
| Power Handling, KWatts | 6 |

Frequency 2

| | |
|---------------------------------|------------|
| Frequency, MHz | 100 |
| Attenuation, dB/100ft [dB/100m] | 1.4 [4.59] |
| Power Handling, KWatts | 1.2 |

Frequency 3

| | |
|---------------------------------|-------------|
| Frequency, MHz | 1000 |
| Attenuation, dB/100ft [dB/100m] | 5.8 [19.03] |
| Power Handling, Watts | 260 |

Frequency 4

| | |
|---------------------------------|------------|
| Frequency, GHz | 5 |
| Attenuation, dB/100ft [dB/100m] | 19 [62.34] |
| Power Handling, Watts | 85 |

Mechanical Specifications

Temperature

| | |
|------------------------|------------|
| Operating Range, deg C | -40 to +80 |
|------------------------|------------|

Click the following link (or enter part number in "SEARCH" on website) to obtain additional part information including price, inventory and certifications: [Flexible RG217 Coax Cable Double Shielded with Black PVC Jacket RG217/U](#)

The information contained in this document is accurate to the best of our knowledge and representative of the part described herein. It may be necessary to make modifications to the part and/or the documentation of the part, in order to implement improvements. Pasternack reserves the right to make such changes as required. Unless otherwise stated, all specifications are nominal.





Flexible RG217 Coax Cable Double Shielded with Black PVC Jacket

TECHNICAL DATA SHEET

RG217/U

Inner Conductor

| | |
|-------------------|--------------|
| Number of Strands | 1 |
| Material | Copper |
| Diameter, in [mm] | 0.106 [2.69] |

Dielectric:

| | |
|-------------------|------------|
| Type | PE |
| Diameter, in [mm] | 0.37 [9.4] |

Shield:

| | |
|-------------------|---------------|
| Number of | 2 |
| Material 1 | Copper Braid |
| Material 2 | Copper Braid |
| Diameter, in [mm] | 0.417 [10.59] |

Jacket:

| | |
|-------------------|---------------|
| Material | PVC |
| Diameter, in [mm] | 0.545 [13.84] |
| Color | Black |

Compliance Certifications (visit www.Pasternack.com for current document)

| | |
|----------------|-----|
| RoHS Compliant | Yes |
|----------------|-----|

Plotted and Other Data

| | |
|--------|----------------------------|
| Notes: | Values at 25 °C, sea level |
|--------|----------------------------|

URL: <http://www.pasternack.com/flexible-0.545-rg217-50-ohm-coax-cable-pvc-jacket-rg217-u-p.aspx>

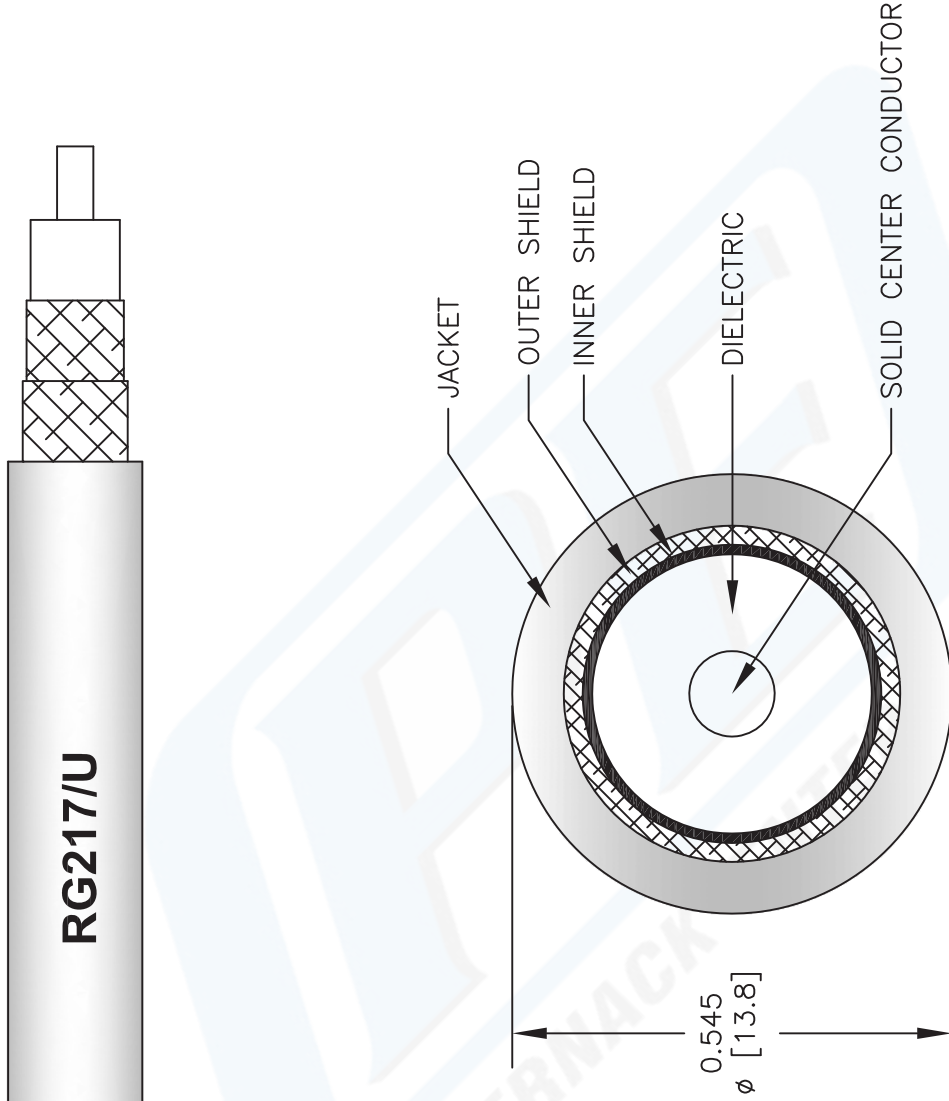
Flexible RG217 Coax Cable Double Shielded with Black PVC Jacket from Pasternack Enterprises has same day shipment for domestic and International orders. Our RF, microwave and fiber optic products maintain a 99% availability and are part of the broadest selection in the industry.

The information contained in this document is accurate to the best of our knowledge and representative of the part described herein. It may be necessary to make modifications to the part and/or the documentation of the part, in order to implement improvements. Pasternack reserves the right to make such changes as required. Unless otherwise stated, all specifications are nominal.



RG217/U CAD Drawing

Flexible RG217 Coax Cable Double Shielded with Black PVC Jacket



NOTES:
 1. UNLESS OTHERWISE SPECIFIED ALL DIMENSIONS ARE NOMINAL.
 2. ALL SPECIFICATIONS ARE SUBJECT TO CHANGE WITHOUT NOTICE AT ANY TIME.
 3. DIMENSIONS ARE IN INCHES [mm].

DWG TITLE

RG217/U

FSCM NO. 53919

2233

SIZE A

SCALE N/A

CAD FILE 092410-B



Pasternack Enterprises, Inc.
 P.O. Box 16759 | Irvine | CA | 92623
Phone: (949) 261-1920 | **Fax:** (949) 261-7451
Website: www.pasternack.com | **E-Mail:** sales@pasternack.com