



## Flexible RG214 Coax Cable Double Shielded with Black PVC Jacket

### TECHNICAL DATA SHEET

RG214/U

Flexible RG214 Coax Cable Double Shielded with Black PVC Jacket

#### Configuration

Inner Conductor Material and Plating	Copper, Silver
Dielectric Type	PE (LD)
Shield Materials	Silver Plated Copper Braid, Silver Plated Copper Braid
Jacket Material and Color	PVC, Black

#### Electrical Specifications

Impedance, Ohms	50
Velocity of Propagation, %	65.9
Maximum Operating Frequency, GHz	11
Capacitance, pF/ft [pF/m]	30.8 [101.05]
Maximum Operating Voltage, Volts	5,000

#### Electrical Specifications by Frequency

##### Frequency 1

Frequency, MHz	100
Attenuation, dB/100ft [dB/100m]	2.01 [6.59]

##### Frequency 2

Frequency, MHz	1000
Attenuation, dB/100ft [dB/100m]	7.32 [24.02]

##### Frequency 3

Frequency, GHz	3
Attenuation, dB/100ft [dB/100m]	14.2 [46.59]

##### Frequency 4

Frequency, GHz	5
Attenuation, dB/100ft [dB/100m]	19.69 [64.6]

##### Frequency 5

Frequency, GHz	11
Attenuation, dB/100ft [dB/100m]	33.8 [110.89]

#### Mechanical Specifications

##### Temperature

Operating Range, deg C	-20 to +80
------------------------	------------

Click the following link (or enter part number in "SEARCH" on website) to obtain additional part information including price, inventory and certifications: [Flexible RG214 Coax Cable Double Shielded with Black PVC Jacket RG214/U](#)

The information contained in this document is accurate to the best of our knowledge and representative of the part described herein. It may be necessary to make modifications to the part and/or the documentation of the part, in order to implement improvements. Pasternack reserves the right to make such changes as required. Unless otherwise stated, all specifications are nominal.





## Flexible RG214 Coax Cable Double Shielded with Black PVC Jacket

### TECHNICAL DATA SHEET

RG214/U

**Inner Conductor**

Number of Strands	7
Material	Copper
Plating	Silver
Diameter, in [mm]	0.089 [2.26]

**Dielectric:**

Type	PE (LD)
Diameter, in [mm]	0.285 [7.24]

**Shield:**

Number of	2
Material 1	Silver Plated Copper Braid
Material 2	Silver Plated Copper Braid
Diameter, in [mm]	0.331 [8.41]

**Jacket:**

Material	PVC
Diameter, in [mm]	0.425 [10.8]
Color	Black
One Time Minimum Bend Radius, in [mm]	1.57 [39.88]

**Compliance Certifications** (visit [www.Pasternack.com](http://www.Pasternack.com) for current document)

RoHS Compliant	Yes
----------------	-----

**Plotted and Other Data**

Notes:	Values at 25 °C, sea level
--------	----------------------------

URL: <http://www.pasternack.com/flexible-0.425-rg214-50-ohm-coax-cable-pvc-jacket-rg214-u-p.aspx>

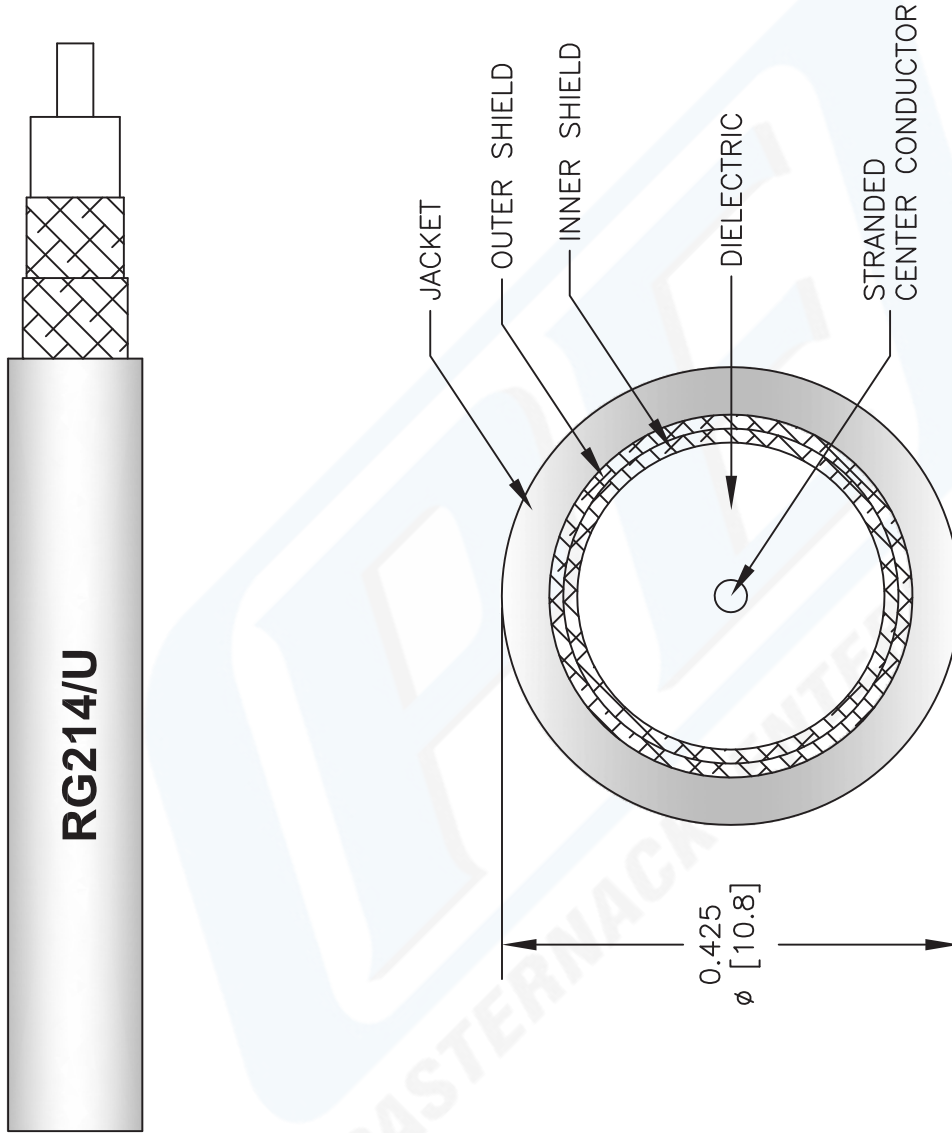
Flexible RG214 Coax Cable Double Shielded with Black PVC Jacket from Pasternack Enterprises has same day shipment for domestic and International orders. Our RF, microwave and fiber optic products maintain a 99% availability and are part of the broadest selection in the industry.

The information contained in this document is accurate to the best of our knowledge and representative of the part described herein. It may be necessary to make modifications to the part and/or the documentation of the part, in order to implement improvements. Pasternack reserves the right to make such changes as required. Unless otherwise stated, all specifications are nominal.



# RG214/U CAD Drawing

Flexible RG214 Coax Cable Double Shielded with Black PVC Jacket



NOTES:  
 1. UNLESS OTHERWISE SPECIFIED ALL DIMENSIONS ARE NOMINAL.  
 2. ALL SPECIFICATIONS ARE SUBJECT TO CHANGE WITHOUT NOTICE AT ANY TIME.  
 3. DIMENSIONS ARE IN INCHES [mm].

DWG TITLE  
**RG214/U**

FSCM NO. 53919

CAD FILE 022808-A

SCALE N/A

SIZE A

2233

**PE PASTERNAK®**  
 Pasternack Enterprises, Inc.  
 P.O. Box 16759 | Irvine | CA | 92623  
**Phone:** (949) 261-1920 | **Fax:** (949) 261-7451  
**Website:** www.pasternack.com | **E-Mail:** sales@pasternack.com