



78 Ohm Flexible RG108 Twinax Cable Single Shielded with Black PVC Jacket

TECHNICAL DATA SHEET

RG108A/U

78 Ohm Flexible RG108 Twinax Cable Single Shielded with Black PVC Jacket

Configuration

Inner Conductor Material and Plating	Copper, Tin
Dielectric Type	PE (LD)
Shield Materials	Tinned Copper Braid
Jacket Material and Color	PVC, Black

Electrical Specifications

Impedance, Ohms	78
Velocity of Propagation, %	66
Maximum Operating Frequency, MHz	1000
Capacitance, pF/ft [pF/m]	19.7 [64.63]

Electrical Specifications by Frequency

Frequency 1

Frequency, MHz	10
Attenuation, dB/100ft [dB/100m]	2.3 [7.55]

Frequency 2

Frequency, MHz	100
Attenuation, dB/100ft [dB/100m]	7.5 [24.61]

Frequency 3

Frequency, MHz	200
Attenuation, dB/100ft [dB/100m]	11.3 [37.07]

Frequency 4

Frequency, MHz	400
Attenuation, dB/100ft [dB/100m]	16.2 [53.15]

Frequency 5

Frequency, MHz	700
Attenuation, dB/100ft [dB/100m]	22 [72.18]

Frequency 6

Frequency, MHz	900
Attenuation, dB/100ft [dB/100m]	25.3 [83.01]

Frequency 7

Frequency, MHz	1000
Attenuation, dB/100ft [dB/100m]	26.2 [85.96]

Click the following link (or enter part number in "SEARCH" on website) to obtain additional part information including price, inventory and certifications: [78 Ohm Flexible RG108 Twinax Cable Single Shielded with Black PVC Jacket RG108A/U](#)

The information contained in this document is accurate to the best of our knowledge and representative of the part described herein. It may be necessary to make modifications to the part and/or the documentation of the part, in order to implement improvements. Pasternack reserves the right to make such changes as required. Unless otherwise stated, all specifications are nominal.





78 Ohm Flexible RG108 Twinax Cable Single
Shielded with Black PVC Jacket

TECHNICAL DATA SHEET

RG108A/U

Mechanical Specifications

Inner Conductor

Number of Strands	7
Material	Copper
Plating	Tin
Diameter, in [mm]	0.032 [0.81]

Dielectric:

Type	PE (LD)
Diameter, in [mm]	0.079 [2.01]

Shield:

Number of	1
Material 1	Tinned Copper Braid
Diameter, in [mm]	0.185 [4.7]

Jacket:

Material	PVC
Diameter, in [mm]	0.235 [5.97]
Color	Black
Weight, lbs/ft [Kg/m]	0.038 [0.06]

Compliance Certifications (visit www.Pasternack.com for current document)

Plotted and Other Data

Notes: Values at 25 °C, sea level

78 Ohm Flexible RG108 Twinax Cable Single Shielded with Black PVC Jacket from Pasternack Enterprises has same day shipment for domestic and International orders. Our RF, microwave and fiber optic products maintain a 99% availability and are part of the broadest selection in the industry.

Click the following link (or enter part number in "SEARCH" on website) to obtain additional part information including price, inventory and certifications: [78 Ohm Flexible RG108 Twinax Cable Single Shielded with Black PVC Jacket RG108A/U](#)

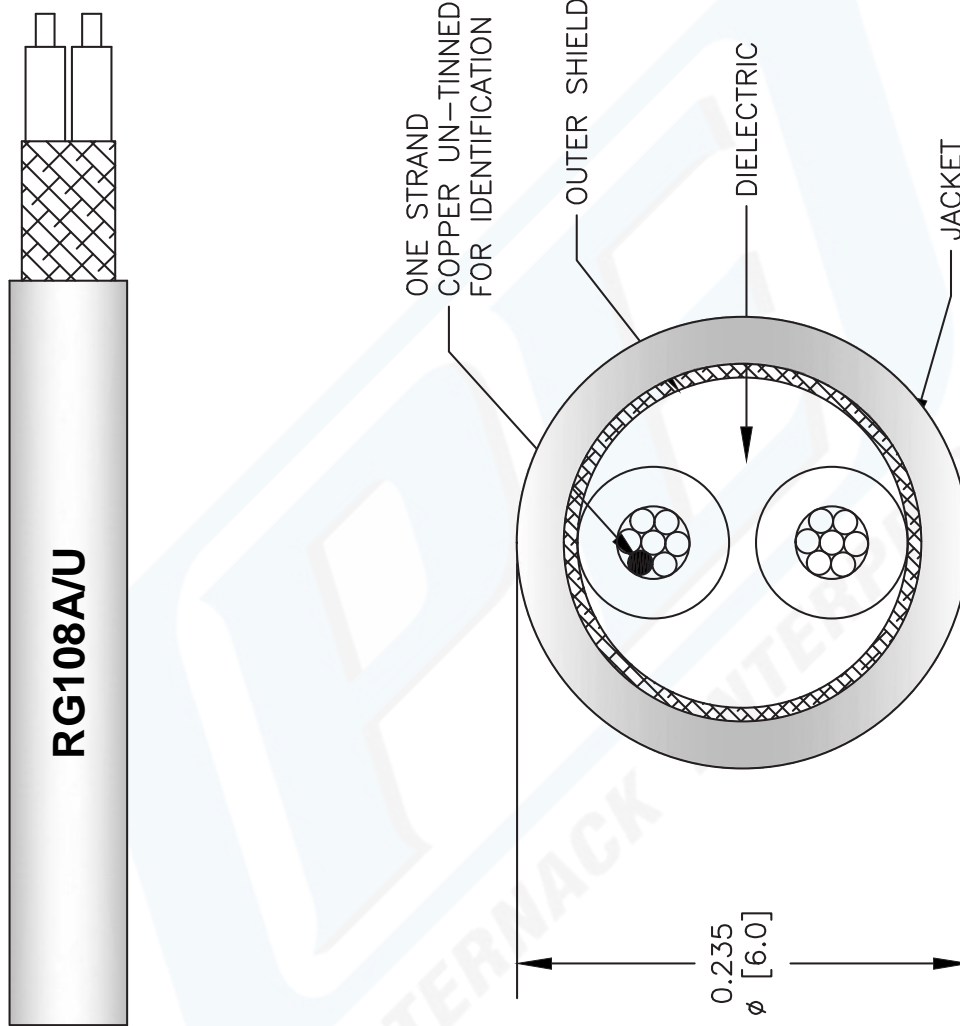
URL: <http://www.pasternack.com/flexible-0.235-78-ohm-twinax-cable-pvc-jacket-rg108a-u-p.aspx>

The information contained in this document is accurate to the best of our knowledge and representative of the part described herein. It may be necessary to make modifications to the part and/or the documentation of the part, in order to implement improvements. Pasternack reserves the right to make such changes as required. Unless otherwise stated, all specifications are nominal.



RG108A/U CAD Drawing

78 Ohm Flexible RG108 Twinax Cable Single Shielded with Black PVC Jacket



NOTES:
 1. UNLESS OTHERWISE SPECIFIED ALL DIMENSIONS ARE NOMINAL.
 2. ALL SPECIFICATIONS ARE SUBJECT TO CHANGE WITHOUT NOTICE AT ANY TIME.
 3. DIMENSIONS ARE IN INCHES [mm].

DWG TITLE
RG108A/U

REV. C FSCM NO. 53919

SCALE N/A

SIZE A

CAD FILE 100312-C

2233

PE PASTERNAK®
 Pasternack Enterprises, Inc.
 P.O. Box 16759 | Irvine | CA | 92623
Phone: (949) 261-1920 | **Fax:** (949) 261-7451
Website: www.pasternack.com | **E-Mail:** sales@pasternack.com