

Flexible Version of 047 Semi-rigid Coax Cable Double Shielded with Blue FEP Jacket

TECHNICAL DATA SHEET

PE-P047

Flexible Version of 047 Semi-rigid Coax Cable Double Shielded with Blue FEP Jacket

Configuration

Inner Conductor Material and Plating	Copper, Silver
Dielectric Type	FEP
Shield Materials	Silver Plated Copper Tape, Silver Plated Copper Braid
Jacket Material and Color	FEP, Blue

Electrical Specifications

Impedance, Ohms	50
Velocity of Propagation, %	70
Maximum Operating Frequency, GHz	20
RF Shielding, dB	90
Capacitance, pF/ft [pF/m]	29 [95.14]

Electrical Specifications by Frequency

Frequency 1

Frequency, MHz	500
Attenuation, dB/100ft [dB/100m]	25 [82.02]
Power Handling, Watts	61

Frequency 2

Frequency, MHz	1000
Attenuation, dB/100ft [dB/100m]	35 [114.83]
Power Handling, Watts	43

Frequency 3

Frequency, GHz	2
Attenuation, dB/100ft [dB/100m]	52 [170.6]
Power Handling, Watts	30

Frequency 4

Frequency, GHz	4
Attenuation, dB/100ft [dB/100m]	80 [262.47]
Power Handling, Watts	20

Frequency 5

Frequency, GHz	8
Attenuation, dB/100ft [dB/100m]	120 [393.7]
Power Handling, Watts	13

Click the following link (or enter part number in "SEARCH" on website) to obtain additional part information including price, inventory and certifications: [Flexible Version of 047 Semi-rigid Coax Cable Double Shielded with Blue FEP Jacket PE-P047](#)

The information contained in this document is accurate to the best of our knowledge and representative of the part described herein. It may be necessary to make modifications to the part and/or the documentation of the part, in order to implement improvements. Pasternack reserves the right to make such changes as required. Unless otherwise stated, all specifications are nominal.

Flexible Version of 047 Semi-rigid Coax Cable
 Double Shielded with Blue FEP Jacket

TECHNICAL DATA SHEET

PE-P047

Frequency 6

Frequency, GHz	12
Attenuation, dB/100ft [dB/100m]	140 [459.32]
Power Handling, Watts	10

Frequency 7

Frequency, GHz	18
Attenuation, dB/100ft [dB/100m]	180 [590.55]
Power Handling, Watts	8

Mechanical Specifications
Temperature

Operating Range, deg C	-65 to +165
------------------------	-------------

Inner Conductor

Number of Strands	1
Material	Copper
Plating	Silver
Diameter, in [mm]	0.011 [0.28]

Dielectric:

Type	FEP
Diameter, in [mm]	0.036 [0.91]

Shield:

Number of	2
Material 1	Silver Plated Copper Tape
Material 2	Silver Plated Copper Braid
Diameter, in [mm]	0.046 [1.17]

Jacket:

Material	FEP
Diameter, in [mm]	0.056 [1.42]
Color	Blue
One Time Minimum Bend Radius, in [mm]	0.2 [5.08]
Repeated Minimum Bend Radius, in [mm]	0.4 [10.16]
Weight, lbs/ft [Kg/m]	0.004 [0.01]

Compliance Certifications (visit www.Pasternack.com for current document)

RoHS Compliant	Yes
----------------	-----

Plotted and Other Data

Notes: Values at 25 °C, sea level

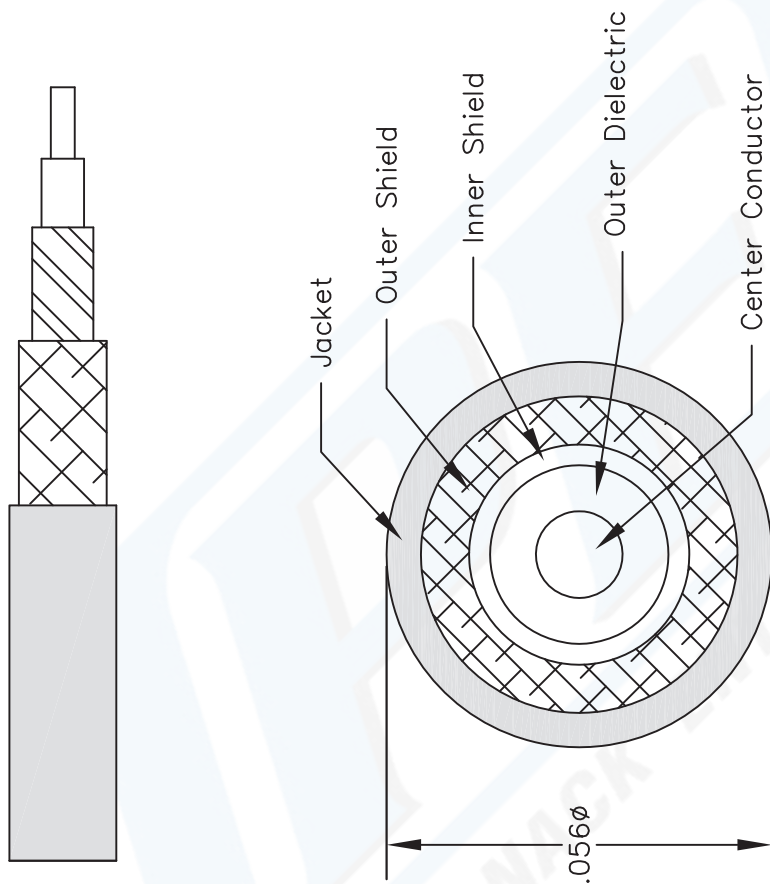
 URL: <http://www.pasternack.com/precision-0.056-semirigid-replacement-50-ohm-coax-cable-fep-jacket-pe-p047-p.aspx>

Flexible Version of 047 Semi-rigid Coax Cable Double Shielded with Blue FEP Jacket from Pasternack Enterprises has same day shipment for domestic and International orders. Our RF, microwave and fiber optic products maintain a 99%

The information contained in this document is accurate to the best of our knowledge and representative of the part described herein. It may be necessary to make modifications to the part and/or the documentation of the part, in order to implement improvements. Pasternack reserves the right to make such changes as required. Unless otherwise stated, all specifications are nominal.

PE-P047 CAD Drawing

Flexible Version of 047 Semi-rigid Coax Cable Double Shielded with Blue FEP Jacket



NOTES:
 1. UNLESS OTHERWISE SPECIFIED ALL DIMENSIONS ARE NOMINAL.
 2. ALL SPECIFICATIONS ARE SUBJECT TO CHANGE WITHOUT NOTICE AT ANY TIME.
 3. DIMENSIONS ARE IN INCHES [mm].

DWG TITLE
PE-P047

PASTERNAK ENTERPRISES, INC.
 P.O. BOX 16759, IRVINE, CA 92623
 PHONE (949) 261-1920 FAX (949) 261-7451
 WEB ADDRESS: www.pasternack.com
 E-MAIL ADDRESS: sales@pasternack.com
COAXIAL & FIBER OPTICS



2233

SIZE A

SCALE N/A

CAD FILE 061512

FSCM NO. 53919

REV. A