



## Low Loss Flexible RG8 Type Coax Cable Double Shielded with Black PE Jacket

### TECHNICAL DATA SHEET

### PE-C400

Low Loss Flexible RG8 Type Coax Cable Double Shielded with Black PE Jacket

#### Configuration

|                                      |                                    |
|--------------------------------------|------------------------------------|
| Cable Design                         | Low Loss                           |
| Inner Conductor Material and Plating | Copper Clad Aluminum               |
| Dielectric Type                      | PE (F)                             |
| Shield Materials                     | Aluminum Tape, Tinned Copper Braid |
| Jacket Material and Color            | PE, Black                          |

#### Electrical Specifications

|                                  |            |
|----------------------------------|------------|
| Impedance, Ohms                  | 50         |
| Velocity of Propagation, %       | 85         |
| Maximum Operating Frequency, GHz | 6          |
| RF Shielding, dB                 | 90         |
| Capacitance, pF/ft [pF/m]        | 24 [78.74] |
| Maximum Operating Voltage, Volts | 2,500      |
| Jacket Spark, Vrms               | 8,000      |

#### Electrical Specifications by Frequency

##### Frequency 1

|                                 |             |
|---------------------------------|-------------|
| Frequency, MHz                  | 30          |
| Attenuation, dB/100ft [dB/100m] | 0.76 [2.49] |

##### Frequency 2

|                                 |            |
|---------------------------------|------------|
| Frequency, MHz                  | 900        |
| Attenuation, dB/100ft [dB/100m] | 3.9 [12.8] |

##### Frequency 3

|                                 |             |
|---------------------------------|-------------|
| Frequency, GHz                  | 1.5         |
| Attenuation, dB/100ft [dB/100m] | 5.1 [16.73] |

##### Frequency 4

|                                 |             |
|---------------------------------|-------------|
| Frequency, GHz                  | 2           |
| Attenuation, dB/100ft [dB/100m] | 5.9 [19.36] |

##### Frequency 5

|                                 |             |
|---------------------------------|-------------|
| Frequency, GHz                  | 3           |
| Attenuation, dB/100ft [dB/100m] | 7.5 [24.61] |

##### Frequency 6

|                                 |            |
|---------------------------------|------------|
| Frequency, GHz                  | 5          |
| Attenuation, dB/100ft [dB/100m] | 10 [32.81] |

Click the following link (or enter part number in "SEARCH" on website) to obtain additional part information including price, inventory and certifications: [Low Loss Flexible RG8 Type Coax Cable Double Shielded with Black PE Jacket PE-C400](#)

The information contained in this document is accurate to the best of our knowledge and representative of the part described herein. It may be necessary to make modifications to the part and/or the documentation of the part, in order to implement improvements. Pasternack reserves the right to make such changes as required. Unless otherwise stated, all specifications are nominal.





## Low Loss Flexible RG8 Type Coax Cable Double Shielded with Black PE Jacket

### TECHNICAL DATA SHEET

### PE-C400

**Frequency 7**

|                                 |              |
|---------------------------------|--------------|
| Frequency, GHz                  | 6            |
| Attenuation, dB/100ft [dB/100m] | 11.1 [36.42] |

**Mechanical Specifications**
**Temperature**

|                        |            |
|------------------------|------------|
| Operating Range, deg C | -40 to +85 |
| Storage Range, deg C   | -70 to +85 |

**Inner Conductor**

|                   |                      |
|-------------------|----------------------|
| Number of Strands | 1                    |
| Material          | Copper Clad Aluminum |
| Diameter, in [mm] | 0.108 [2.74]         |

**Dielectric:**

|                   |              |
|-------------------|--------------|
| Type              | PE (F)       |
| Diameter, in [mm] | 0.285 [7.24] |

**Shield:**

|                   |                     |
|-------------------|---------------------|
| Number of         | 2                   |
| Material 1        | Aluminum Tape       |
| Material 2        | Tinned Copper Braid |
| Diameter, in [mm] | 0.318 [8.08]        |

**Jacket:**

|                                       |             |
|---------------------------------------|-------------|
| Material                              | PE          |
| Diameter, in [mm]                     | 0.4 [10.16] |
| Color                                 | Black       |
| One Time Minimum Bend Radius, in [mm] | 1 [25.4]    |
| Repeated Minimum Bend Radius, in [mm] | 4 [101.6]   |
| Bending Moment, lbs/ft [Kg/m]         | 0.5 [0.74]  |
| Tensile Strength, lbs [Kg]            | 160 [72.57] |
| Weight, lbs/ft [Kg/m]                 | 0.067 [0.1] |

**Compliance Certifications** (visit [www.Pasternack.com](http://www.Pasternack.com) for current document)

|                |     |
|----------------|-----|
| RoHS Compliant | Yes |
|----------------|-----|

**Plotted and Other Data**

Notes: Values at 25 °C, sea level

URL: <http://www.pasternack.com/flexible-0.405-50-ohm-coax-cable-pe-jacket-pe-c400-p.aspx>

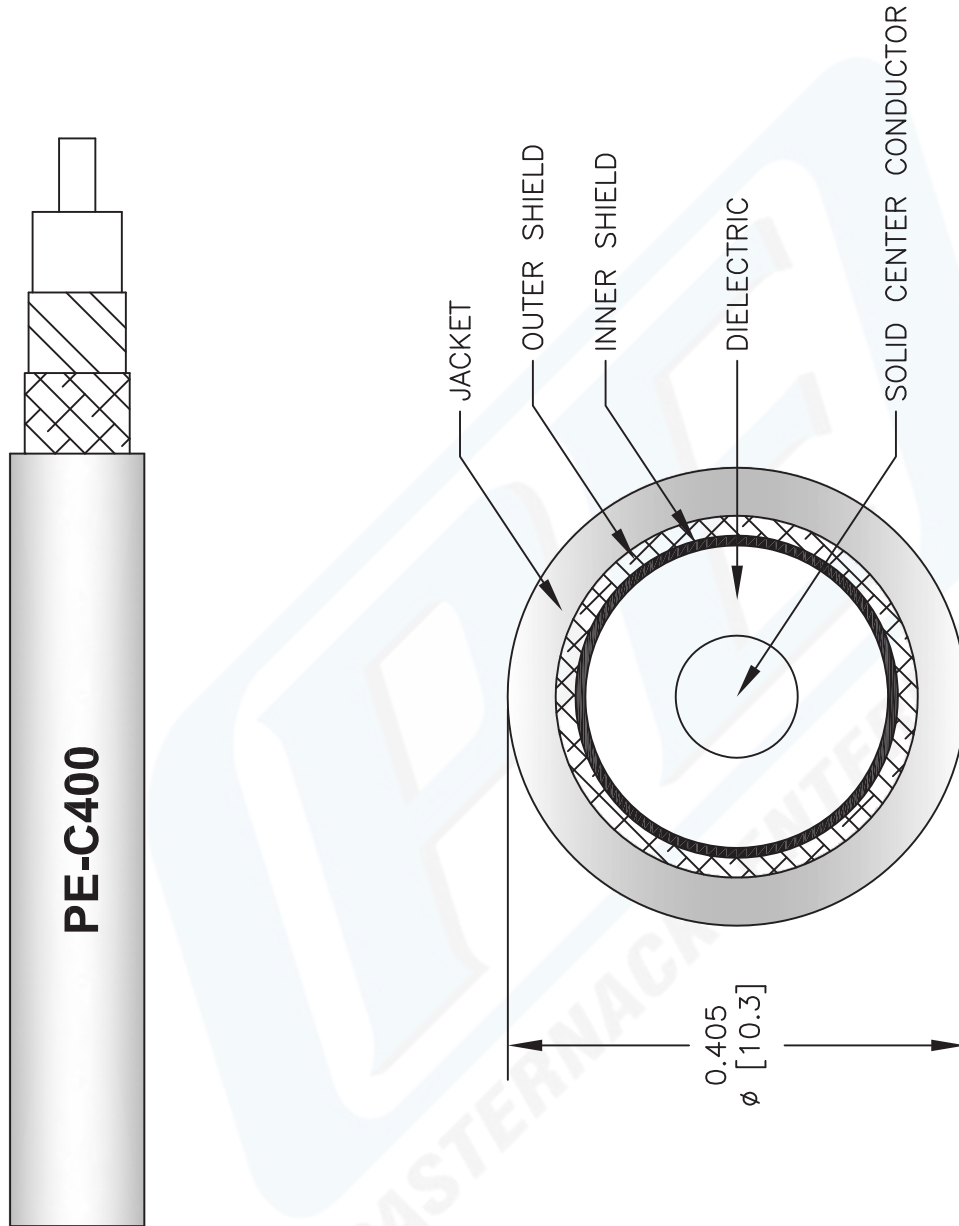
Low Loss Flexible RG8 Type Coax Cable Double Shielded with Black PE Jacket from Pasternack Enterprises has same day shipment for domestic and International orders. Our RF, microwave and fiber optic products maintain a 99% availability and are part of the broadest selection in the industry.

The information contained in this document is accurate to the best of our knowledge and representative of the part described herein. It may be necessary to make modifications to the part and/or the documentation of the part, in order to implement improvements. Pasternack reserves the right to make such changes as required. Unless otherwise stated, all specifications are nominal.



# PE-C400 CAD Drawing

Low Loss Flexible RG8 Type Coax Cable Double Shielded with Black PE Jacket



NOTES:  
1. UNLESS OTHERWISE SPECIFIED ALL DIMENSIONS ARE NOMINAL.  
2. ALL SPECIFICATIONS ARE SUBJECT TO CHANGE WITHOUT NOTICE AT ANY TIME.  
3. DIMENSIONS ARE IN INCHES [mm].

DWG TITLE

**PE-C400**

FSCM NO. 53919

CAD FILE 042809

SCALE N/A

SIZE A

2233



Pasternack Enterprises, Inc.  
P.O. Box 16759 | Irvine | CA | 92623  
Phone: (949) 261-1920 | Fax: (949) 261-7451  
Website: [www.pasternack.com](http://www.pasternack.com) | E-Mail: [sales@pasternack.com](mailto:sales@pasternack.com)