

Svetlana SK1300 & SK1320A Air System Sockets

The Svetlana™ SK1300 and SK1320A air system sockets are recommended for use with the Svetlana tube types listed below. The SK1320A is designed uniquely for operation to 200MHz with the Svetlana 3CX10,000A7 and 3CX15,000A7 taking advantage of the low inductance mesh filament of these Svetlana tubes. At frequencies in the 200MHz range, the mounting flange is not used. When these sockets are used, connection is made to each of the tube electrodes except the anode, by means of concentric rings of spring-finger contacts. The SK1300 grid contact assembly is insulated from the outer assembly which bolts to the mounting surface. The SK1320A is designed for grounded grid operation so the grid contact is connected to the mounting flange. The Svetlana SK1300 & 1320A are exact replacement parts for the SK1300 & 1320A sockets manufactured in the West.



Svetlana SK1300



Svetlana SK1320A

Base Connection

The base connections consist of three concentric rings of spring-finger contacts. The socket's two filament connectors each have a 1/4" diameter hole for making connection to the inner and outer filament contacts. The SK1300 has four 8-32 terminals for connection to the control-grid. Eight rugged straps ground the control grid on the SK1320A.

Maximum Working Voltage

Control Grid 3000 Vdc

Installation

The SK1300 and SK1320A sockets may be mounted in place by eight 6-32 machine screws through the eight mounting holes provided.

Svetlana Tube Types

The SK1300 and SK1320A sockets are recommended for use with the following Svetlana tube types and types manufactured in the West.

3CW20,000A1

3CW20,000A7

3CX10,000A3/8159

3CX10,000A7/8160

3CX15,000A3

3CX15,000A7

Net Weights

SK1300 & SK1320A socket (max) 2.4 lbs. (1.09 kg)

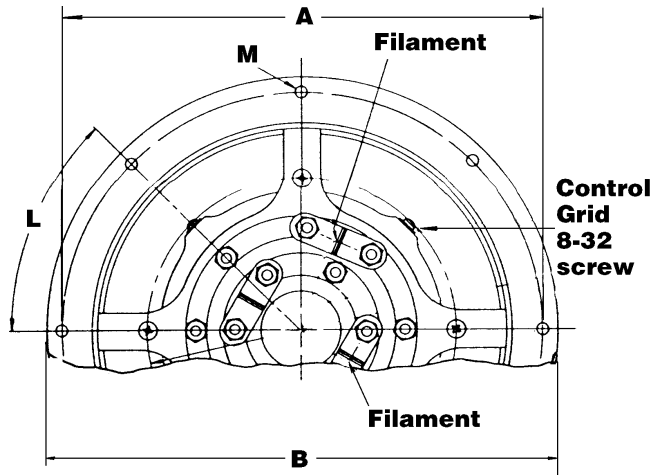


Headquarters:
8200 South Memorial Parkway
Huntsville, AL 35802
USA
Phone: 205 882 1344
Fax: 205 880 8077
Toll Free: 800 239 6900
www.svetlana.com

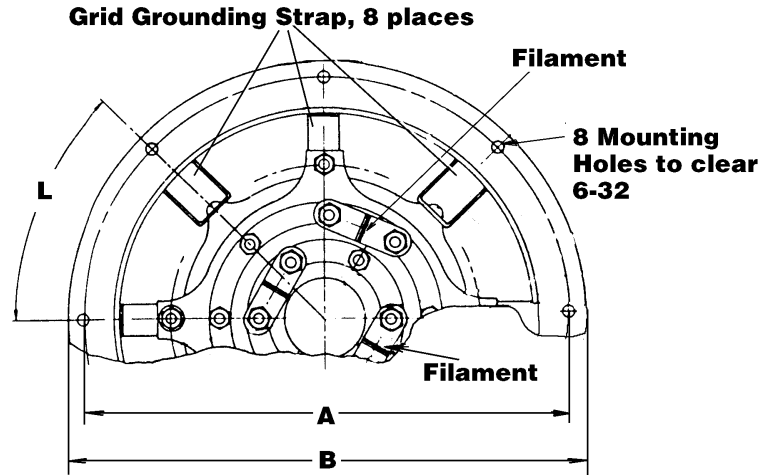
Marketing & Engineering:
3000 Alpine Road
Portola Valley, CA 94028
USA
Phone: 415 233 0429
Fax: 415 233 0439
Toll Free: 800-5-SVETLANA
(1-800-578-3852)

Svetlana SK1300 & SK1320A Air System Sockets

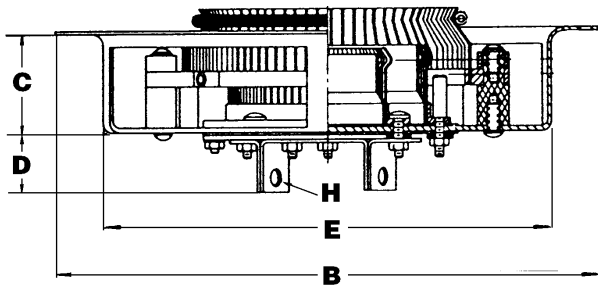
Svetlana SK1300 Outline Bottom View



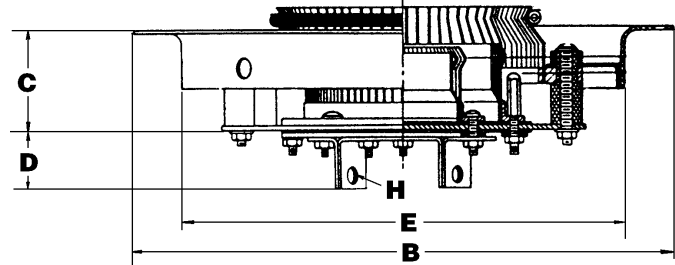
Svetlana SK1320A Outline Bottom View



Svetlana SK1300 Outline Side View



Svetlana SK1320A Outline Side View



Dimensional Data						
Dim.	Millimeters			Inches		
	Min.	Max.	Ref.	Min.	Max.	Ref.
A	196.34	197.36		7.730	7.770	
B	208.79	210.31		8.220	8.280	
C	36.58	38.86		1.440	1.530	
D	22.61	24.38		0.890	0.960	
E	170.69	172.21		6.720	6.780	
H	5.97	6.73		0.235	0.265	
L			45°			45°
M	3.56	3.91		0.140	0.154	

Notes:

1. Ref dimensions are for info only.



Headquarters:
8200 South Memorial Parkway
Huntsville, AL 35802
USA
Phone: 205 882 1344
Fax: 205 880 8077
Toll Free: 800 239 6900
www.svetlana.com

Marketing & Engineering:
3000 Alpine Road
Portola Valley, CA 94028
USA
Phone: 415 233 0429
Fax: 415 233 0439
Toll Free: 800-5-SVETLANA
(1-800-578-3852)