



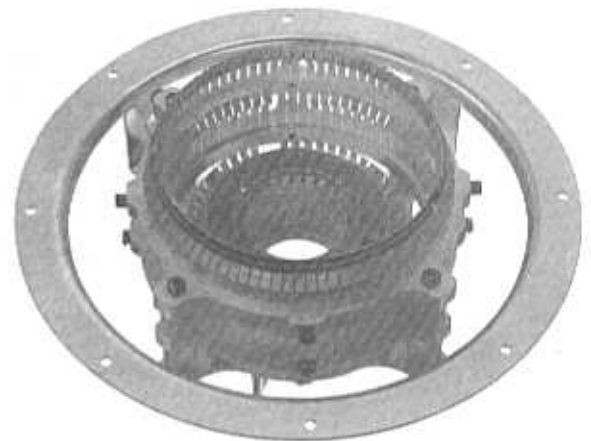
# SK-300A

## TECHNICAL DATA

### AIR-SYSTEM SOCKET

VARIAN S.A.  
 Quartier de Courcouronnes  
 B.P. N° 12  
 91-509 ORSAY  
 Tel. 907.73.26

The Eimac SK-300A Air-System Socket is recommended for use with those tube types listed at the bottom of the data sheet. The Eimac SK-306, SK-316 and SK-1306 Air Chimneys are available for use with this socket. When this socket is used, connection is made to each of the tube electrodes except the anode, by means of concentric rings of spring-finger contacts. The SK-300A is an improved version of the now obsolete SK-300, with significantly lower air horsepower requirements and reduced pressure drop at the air-flow rates used with these tube types. The SK-300A will replace an SK-300, as the mounting holes are identical.



#### BASE CONNECTION

The SK-300A Air-System Socket consists of four concentric rings of spring-finger contacts. The socket is provided with two filament connectors with a 1/4" diameter hole in each connector for making connection to the inner and outer filament contacts. One 6-32 terminal is provided for DC connection to the screen-grid. RF connection to the screen-grid may be made directly to the collet. The SK-300A has four 8-32 terminals for connection to the control-grid. The four contact rings are shown on the outline drawing.

#### MAXIMUM WORKING VOLTAGE:

|                        |          |
|------------------------|----------|
| Screen-Grid . . . . .  | 3000 Vdc |
| Control-Grid . . . . . | 3000 Vdc |

#### MATERIALS AND FINISHES

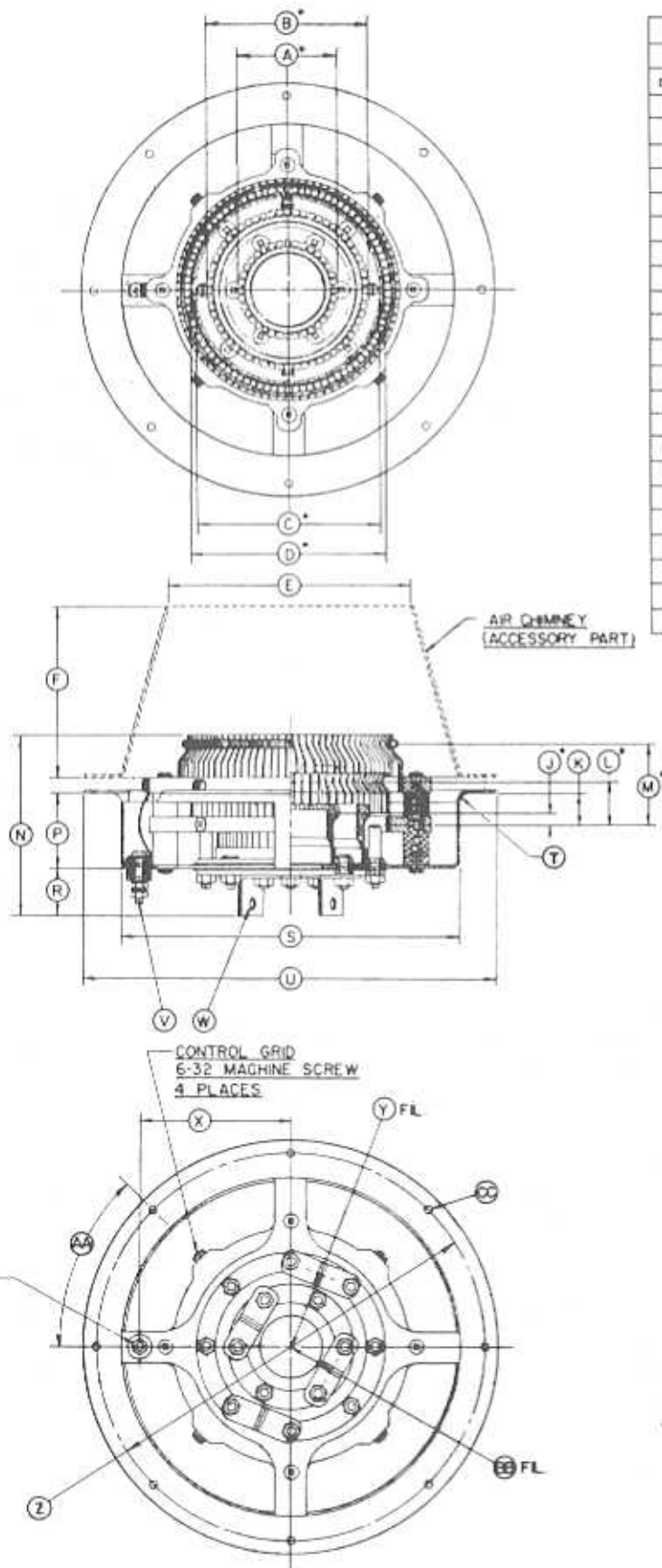
The socket body is made from brass silver-plated. The contact material is a non-ferrous spring alloy, beryllium-copper, heat treated for spring action and silver-plated for good RF conductivity. The insulation material is teflon and ceramic.

#### INSTALLATION

The SK-300A Air-System Socket can be mounted on a chassis deck, partition or pressurized compartment. Chassis mounting is accomplished by cutting a 7-3/16" hole in the chassis deck or partition. The socket is then placed in the hole and fastened in place by eight 6-32 machine screws through the eight holes provided for fastening. The SK-300A is recommended for use with the following tubes, with the air chimney shown:

| <u>Tube Type</u> | <u>Recommended Chimney</u> | <u>Tube Type</u> | <u>Recommended Chimney</u> |
|------------------|----------------------------|------------------|----------------------------|
| 8170/4CX5000A    | SK-306                     | 8171/4CX10,000D  | SK-1306                    |
| 8170W/4CX5000R   | SK-306                     | 4CX10,000J       | SK-1306                    |
| 8909/4CX5000J    | SK-306                     | 8281/4CX15,000A  | SK-316                     |
| 8661/4CW10,000A  | none req'd                 | 8910/4CX15,000J  | SK-316                     |
| 4CW25,000A       | none req'd                 |                  |                            |

NET WEIGHT - SK-300A socket . . . . . 3.25 lbs (1.48 kg)



| DIMENSIONAL DATA |                 |       |       |             |        |       |
|------------------|-----------------|-------|-------|-------------|--------|-------|
| DIM              | INCHES          |       |       | MILLIMETERS |        |       |
|                  | MIN             | MAX   | REF   | MIN         | MAX    | REF   |
| A                | 2.001           | 2.061 |       | 50.82       | 52.35  |       |
| B                | 3.251           | 3.311 |       | 82.57       | 84.10  |       |
| C                | 3.672           | 3.732 |       | 93.27       | 94.79  |       |
| D                | 3.680           | 3.940 |       | 93.55       | 100.00 |       |
| E                | 4.690           | 4.921 |       | 124.21      | 124.99 |       |
| J                | 0.200           | 0.290 |       | 5.08        | 7.11   |       |
| K                | 0.600           | 0.695 |       | 15.24       | 17.65  |       |
| L                | 0.818           | 0.807 |       | 20.78       | 20.64  |       |
| M                | 1.559           | 1.699 |       | 39.60       | 43.15  |       |
| N                | 3.513           | 3.663 |       | 89.23       | 93.04  |       |
| P                | 1.444           | 1.530 |       | 36.68       | 38.88  |       |
| R                | 0.587           | 0.963 |       | 14.83       | 24.46  |       |
| S                | 6.720           | 6.785 |       | 170.66      | 172.34 |       |
| V                | 6.235           | 6.268 |       | 158.78      | 159.96 |       |
| V                | 6-32 NC-2A ST/D |       |       |             |        |       |
| W                | 0.238           | 0.268 |       | 6.02        | 6.73   |       |
| X                | 3.000           | 3.030 |       | 76.20       | 76.96  |       |
| Y                |                 |       | 45°   |             |        | 40.00 |
| Z                | 7.730           | 7.770 |       | 196.34      | 197.36 |       |
| AA               |                 |       | 45°   |             |        | 45°   |
| BB               |                 |       | 0.960 |             |        | 24.13 |
| CC               | 0.140           | 0.134 |       | 3.56        | 3.41   |       |

- NOTES:**
1. REF DIMENSIONS ARE FOR INFO ONLY & ARE NOT REQUIRED FOR INSPECTION PURPOSES.
  2. TOLERANCES ARE NOT CUMULATIVE.
  3. IN CONTACT SURFACES.

VARIAN S.A.  
 Quartier de Courtabœuf  
 B.P. N° 12  
 91450 ORSAY  
 Tél. 907.70.25